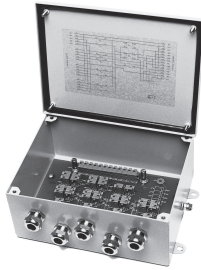


Junction Box



FEATURES

- Up to 4 transducers
- IP 65
- Clamp terminals
- Simple installation
- Equalizing resistors
- Stainless steel and painted enclosure

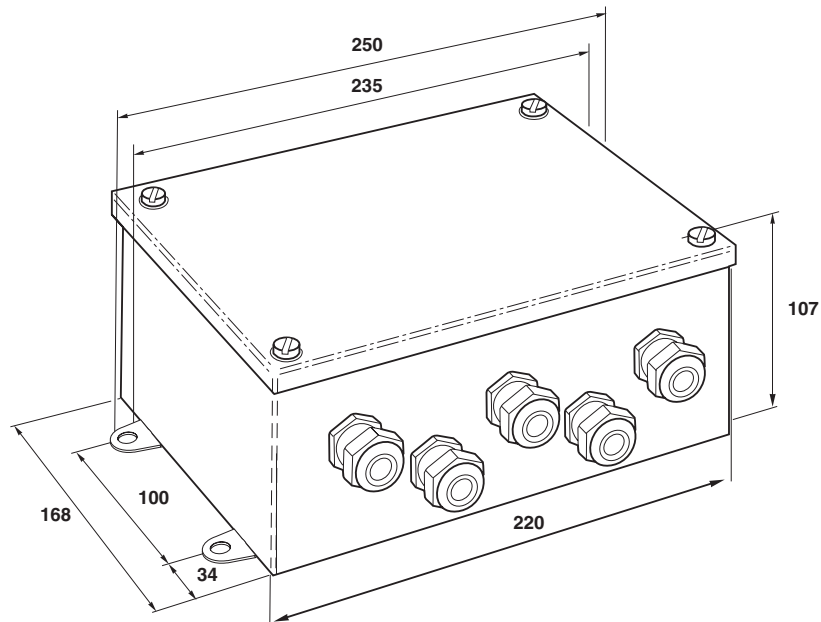
DESCRIPTION

The junction box allows fast and easy connection of many transducers to a single weighing instrument. It meets the requirements of IP 65 and NEMA 4+.

APPLICATIONS

- Weighing
- Force

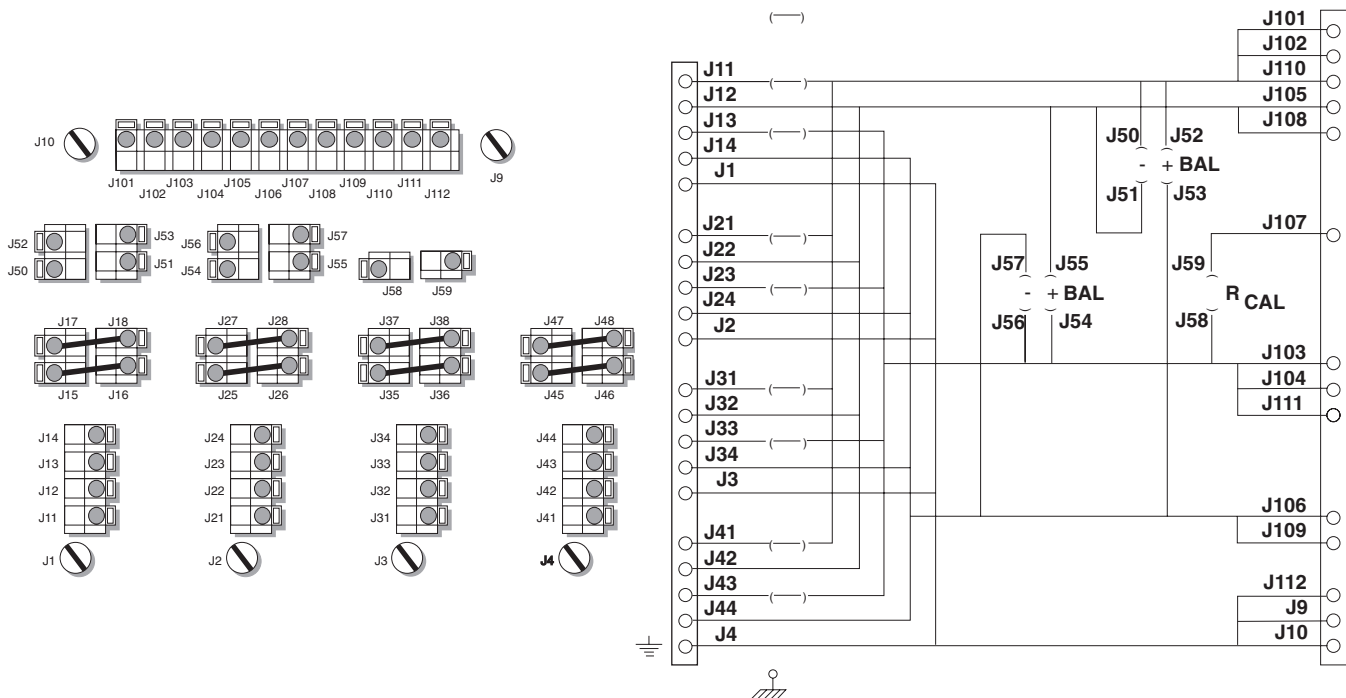
OUTLINE DIMENSIONS



SPECIFICATIONS

| | | |
|-----------------------------|------------------------|----|
| Capacity | up to four transducers | |
| Connections | Clamp terminals | |
| | Ground screws | |
| Operating temperature range | -10 to +55 | °C |
| Storage temperature range | -25 to +85 | °C |
| Board size | 125 x 210 | mm |

DIMENSIONS



TRANSDUCER CONNECTION

| LEAD FUNCTION | CLAMP TERMINALS | TRANSD. 2 | TRANSD. 3 | TRANSD. 4 |
|---------------|-----------------|-----------|-----------|-----------|
| Screen | J1 | J2 | J3 | J4 |
| Excitation + | J11 | J21 | J31 | J41 |
| Signal - | J12 | J22 | J32 | J42 |
| Excitation - | J13 | J23 | J33 | J43 |
| Signal + | J14 | J24 | J34 | J44 |

INSTRUMENT CONNECTION, SIGNAL CABLE

| LEAD FUNCTION | CLAMP TERMINALS | LEAD FUNCTION | CLAMP TERMINALS |
|---------------|-----------------|---------------|-----------------|
| Excitation + | J101 | Screen | J10 |
| Sense + | J102 | Calibration | J105 |
| Excitation - | J103 | Signal + | J106 |
| Sense - | J104 | Signal - | J108 |

GROUND CONNECTION

1a. (All cable screens are connected to ground screws on the circuit card.) Connect the signal cable screen to ground close to the instrument, or via the instrument.

1b. If connection to ground at the instrument is not possible, then use the enclosed wire to connect J3 to the ground screw in the box.

2. Always connect the junction box body to ground.

NOTE: If you are using zener barriers you should connect to ground only at the barriers - not according to 1a or 1b.

Disclaimer

All product specifications and data are subject to change without notice.

Vishay Precision Group, Inc., its affiliates, agents, and employees, and all persons acting on its or their behalf (collectively, "Vishay Precision Group"), disclaim any and all liability for any errors, inaccuracies or incompleteness contained herein or in any other disclosure relating to any product.

Vishay Precision Group disclaims any and all liability arising out of the use or application of any product described herein or of any information provided herein to the maximum extent permitted by law. The product specifications do not expand or otherwise modify Vishay Precision Group's terms and conditions of purchase, including but not limited to the warranty expressed therein, which apply to these products.

No license, express or implied, by estoppel or otherwise, to any intellectual property rights is granted by this document or by any conduct of Vishay Precision Group.

The products shown herein are not designed for use in medical, life-saving, or life-sustaining applications unless otherwise expressly indicated. Customers using or selling Vishay Precision Group products not expressly indicated for use in such applications do so entirely at their own risk and agree to fully indemnify Vishay Precision Group for any damages arising or resulting from such use or sale. Please contact authorized Vishay Precision Group personnel to obtain written terms and conditions regarding products designed for such applications.

Product names and markings noted herein may be trademarks of their respective owners.